

ZH23 Series Connector



Renhotec Group Limited



ZH23 Series Connector

ZH23 series electrical connector has the characteristics of environmental resistance, five key positioning, anti insertion error, and quick connection with bayonets. The contact parts are crimped and then released, used in low-frequency AC and DC circuits. ZH23 is called 23 in Russia.



Technical Performance

- ◎ Ambient Temperature: -60 ~ +200 °C (maximum 200 °C)
- ◎ Vibration : Acceleration 40g (1-5000HZ)
- ◎ Impact: Acceleration 500g (once); 150g (multiple times)

◎ Operating Voltage	Class	Operating (V)	Testing (V)
	A	700	2100
	B	500	1850
C	400	1600	

- ◎ Contact Current

Ø1.0	Ø1.5	Ø2.0
11A	20A	35A

- ◎ Contact Resistance

Ø1.0	Ø1.5	Ø2.0
≤40mΩ	≤2.5mΩ	≤1.6mΩ

- ◎ Technical Specification: Q/3E 20005-2003
- ◎ Technical Condition: .364.241
- ◎ Salt Spray Resistance:96H
- ◎ Relative Humidity:30°C ~ 60°C 92% ~ 98%
- ◎ Insulation Resistance:≥5000M
- ◎ Mechanical and Working Life : 500 times
- ◎ Material Description:
Shell material: Anodized aluminum alloy
Contact material: Copper alloy gold plated

How to Order

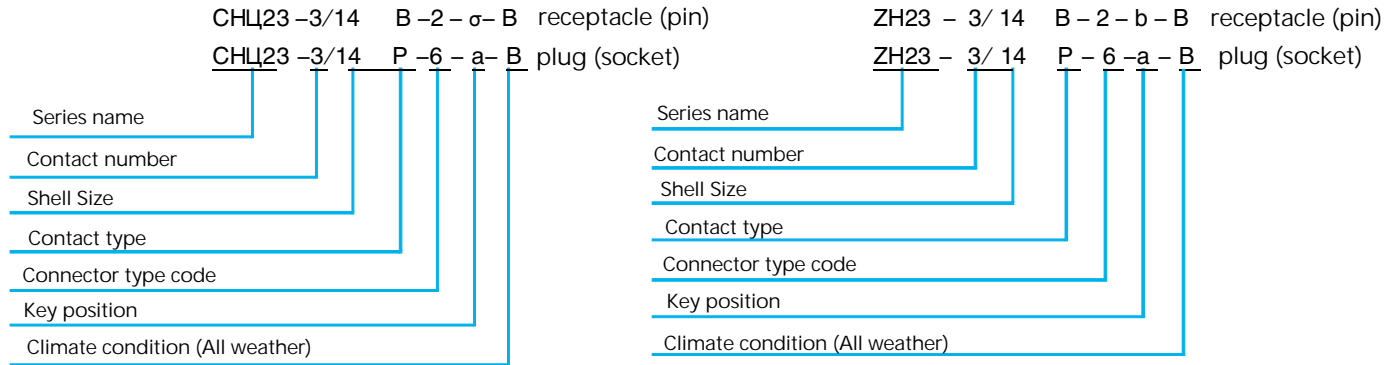
No.	Description	Russian P/N	Chinese P/N
1	Series name	CHЦ23	ZH23
2	Contact number	3, 4, 7, 10, 19, 24, 28, 32, 41, 43, 45, 55, 61	3, 4, 7, 10, 19, 24, 28, 32, 41, 43, 45, 55, 61
3	Shell size(mm)	14, 18, 22, 24, 27, 30, 33, 36, 39	14, 18, 22, 24, 27, 30, 33, 36, 39
4	Contact type	B(Pin) P(Socket)	B(Pin) P(Socket)
5	Connector type code	1 - Equipment part with simplified tail attachment 2 - Equipment part with straight clamp tail attachment 6 - Cable part with straight clamp type tail attachment 11 - Cable part with simplified tail attachment 13 - Cable part with 09 type heat shrink sleeving tail attachment 15 - Equipment part with 05 type shielded straight tail attachment (memory ring) 16 - Cable part with 05 type shielded straight tail attachment (memory ring) 17 - Equipment part with 06 type screen curved tail attachment (memory ring) 18 - Cable part with 06 type screen curved tail attachment (memory ring) 21 - Equipment part with 08 type shielded straight clamp wire tail attachment 22 - Cable part with 08 type shielded straight clamp wire tail attachment 27 - Equipment part with 11 type shielded bent clamp wire tail attachment 8 - Cable part with angular clamp type tail attachment 12 - Equipment part with 09 type heat shrink sleeving tail attachment 19 - Equipment part with 07 type shielded simplified tail attachment 20 - Cable part with 07 type shielded simplified tail attachment 25 - Equipment part with 10 type shielded bent tail attachment 26 - Cable part with 10 type shielded bent tail attachment 28 - Cable part with 11 type shielded bent clamp wire tail attachment	
6	Key position	Unmarked - Standard Key Position a, σ, B, r	Unmarked - Standard Key Position a, b, c, d
7	Climate condition (All weather)	B	

ZH23 Series Connector

P/N Example:

Russian P/N

Chinese P/N



Tail Accessories Marking

Series name	ZH23	N	-05	-33
Surface Finishing	N-Nickel plating on the casing J-Cadmium plating on the shell			
Tail Attachment Type	05 - Shielded straight tail accessory (with memory ring) 06 - Shielded curved tail accessory (with memory ring) 07-Shielded tail accessories (simplified) 08-Shielded straight clamp wire tail accessories 09-Thermoplastic tube type tail accessory 10-Shielded curved tail accessory 11-Shielded bent clamp wire tail accessories			
Shell size	14, 18, 22, 24, 27, 30, 33, 36, 39			

Contact Arrangements

Front face of pin insert or rear face of socket insert illustrated

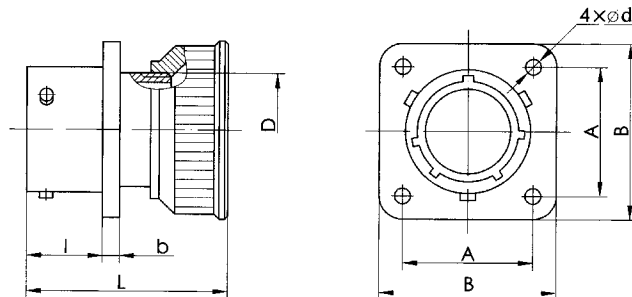
Shell	3/14	4/14	7/18	10/18	Contact Diameter	Sign
14					1.0mm	○
					1.5mm	◐
					2.0mm	◑
Shell 22	7/22			10/22	19/24	
Shell 27	19/27			28/27	32/27	
Shell 30	24/30			41/30	32/33	
Shell 36	43/36			61/36	45/39	

Key Position

Model No.	a、 (a)	σ、 (b)	B、 (c)	Γ (d)	Unmarked	Model No.	a、 (a)	σ、 (b)	B、 (c)	Γ (d)	Unmarked
3/14	160				0	28/27	45	150	195		0
4/14		135			0	32/27	45	135		270	0
7/18	90				0	24/30	90	135	200		0
10/18		70			0	41/30	45	90			0
7/22	80	170	225		0	32/33	90	120			0
10/22		100	195		0	55/33	75	90		165	0
19/22	30		225		0	43/36	90	135	200	250	0
19/24	30	120	245		0	61/36	90	160	190		0
19/27	30	195			0	45/39	90	180	270	315	0

Connector Type

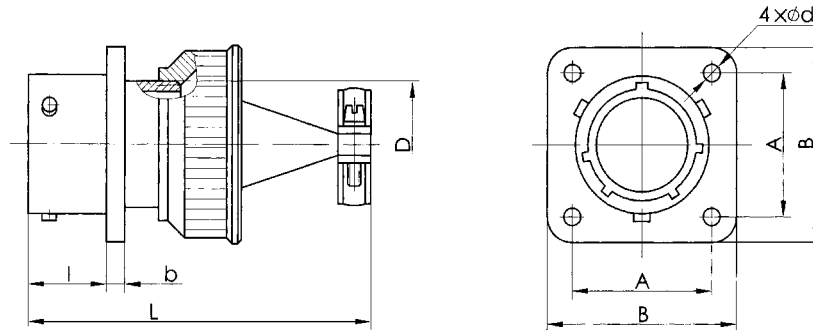
☉ 1- Equipment part with simplified tail attachment



P/N	Dimensions(mm)						
	A	Bmax	D	dmin	lmax	bmax	Lmax
CHL23-4/14B(P)-1-B	16.5	21.7	M14x0.5	2.2	11.3	1.4	32.5
CHL23-3/14B(P)-1-B							
CHL23-10/18B(P)-1-B	19.5	25.9	M18x1	3.2			
CHL23-7/18B(P)-1-B							
CHL23-19/22B(P)-1-B	23	29.4	M22x1	1.8			
CHL23-10/22B(P)-1-B							
CHL23-7/22B(P)-1-B	25	31.4	M24x1	14.5			
CHL23-19/24B(P)-1-B							
CHL23-32/27B(P)-1-B	27	33.4	M27x1	2			
CHL23-19/27B(P)-1-B							
CHL23-28/27B(P)-1-B	31	37.8	M30x1	15.3			
CHL23-41/30B(P)-1-B							
CHL23-24/30B(P)-1-B	34	41.5	M33x1				
CHL23-55/33B(P)-1-B							
CHL23-32/33B(P)-1-B	36.5	44.5	M36x1				
CHL23-61/36B(P)-1-B							
CHL23-43/36B(P)-1-B	40	46.4	M39x1				
CHL23-45/39B(P)-1-B							

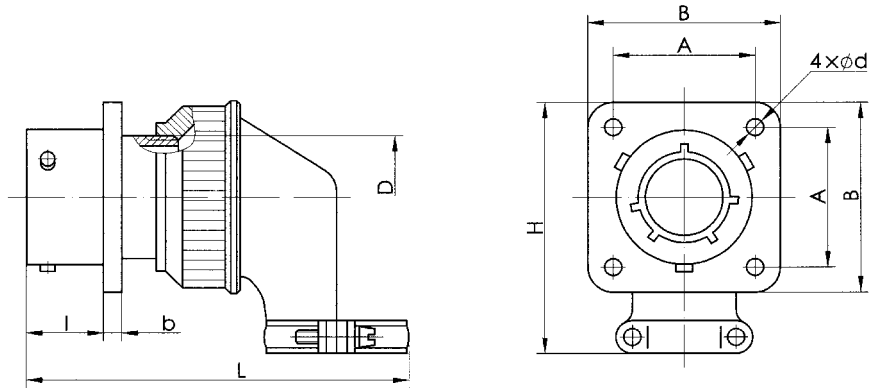
ZH23 Series Connector

◎ 2- Equipment part with straight clamp tail attachment



P/N	Dimensions(mm)							
	A	Bmax	D	dmin	lmax	bmax	Lmax	
CHL23-4/14B(P)-2-B	16.5	21.7	M14×0.5	2.2	11.3	1.4	42	
CHL23-3/14B(P)-2-B								
CHL23-10/18B(P)-2-B	19.5	25.9	M18×1	3.2		1.8	48	
CHL23-7/18B(P)-2-B								
CHL23-19/22B(P)-2-B	23	29.4	M22×1			11.3	1.8	48
CHL23-10/22B(P)-2-B								
CHL23-7/22B(P)-2-B	25	31.4	M24×1			3.2	1.8	48
CHL23-19/24B(P)-2-B								
CHL23-32/27B(P)-2-B	27	33.4	M27×1			11.3	1.8	48
CHL23-19/27B(P)-2-B								
CHL23-28/27B(P)-2-B	31	37.8	M30×1		14.5	2	50	
CHL23-41/30B(P)-2-B								
CHL23-24/30B(P)-2-B	34	41.5	M33×1	15.3	2	50		
CHL23-55/33B(P)-2-B								
CHL23-32/33B(P)-2-B	36.5	44.5	M36×1	15.3	2	50		
CHL23-61/36B(P)-2-B								
CHL23-43/36B(P)-2-B	40	46.4	M39×1	15.3	2	50		
CHL23-45/39B(P)-2-B								

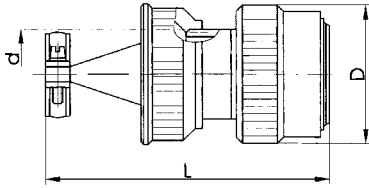
④ 4- Equipment part with angular clamp tail attachment



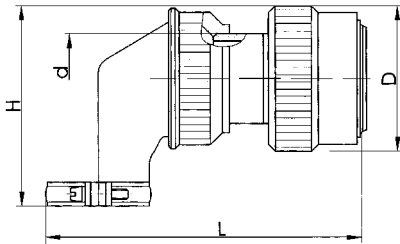
P/N	Dimensions(mm)							
	A	Bmax	D	dmin	lmax	bmax	Hmax	Lmax
CHL23-4/14B(P)-4-B	16.5	21.7	M14x0.5	2.2	11.3	1.4	69	69
CHL23-3/14B(P)-4-B								
CHL23-10/18B(P)-4-B	19.5	25.9	M18x1					
CHL23-7/18B(P)-4-B								
CHL23-19/22B(P)-4-B	23	29.4	M22x1					
CHL23-10/22B(P)-4-B								
CHL23-7/22B(P)-4-B	25	31.4	M24x1					
CHL23-19/24B(P)-4-B								
CHL23-32/27B(P)-4-B	27	33.4	M27x1	3.2		4.6		
CHL23-19/27B(P)-4-B								
CHL23-28/27B(P)-4-B	31	37.8	M30x1					
CHL23-41/30B(P)-4-B								
CHL23-24/30B(P)-4-B	34	41.5	M33x1	14.5	2.15			
CHL23-55/33B(P)-4-B								
CHL23-32/33B(P)-4-B	36.5	44.5	M36x1	15.3				
CHL23-61/36B(P)-4-B								
CHL23-43/36B(P)-4-B	40	46.4	M39x1					
CHL23-45/39B(P)-4-B								

ZH23 Series Connector

- ⑥ 6- Cable part with straight clamp type tail attachment



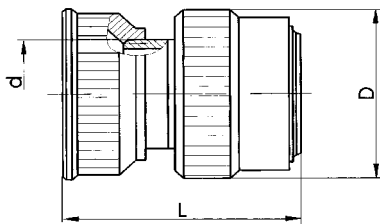
- ⑧ 8- Cable part with angular clamp type tail attachment



P/N	Dimensions(mm)		
	Dmax	d	Lmax
CHL23-4/14B(P)-6-B	22.6	M14x0.5	50
CHL23-3/14B(P)-6-B			
CHL23-10/18B(P)-6-B			
CHL23-7/18B(P)-6-B	26	M18x1	
CHL23-19/22B(P)-6-B	29.7	M22x1	
CHL23-10/22B(P)-6-B			
CHL23-7/22B(P)-6-B			
CHL23-19/24B(P)-6-B	32.9	M24x1	
CHL23-32/27B(P)-6-B	35.3	M27x1	
CHL23-19/27B(P)-6-B			
CHL23-28/27B(P)-6-B			
CHL23-41/30B(P)-6-B	38	M30x1	
CHL23-24/30B(P)-6-B	42	M33x1	
CHL23-55/33B(P)-6-B			
CHL23-32/33B(P)-6-B			
CHL23-61/36B(P)-6-B	46	M36x1	
CHL23-43/36B(P)-6-B	49	M39x1	

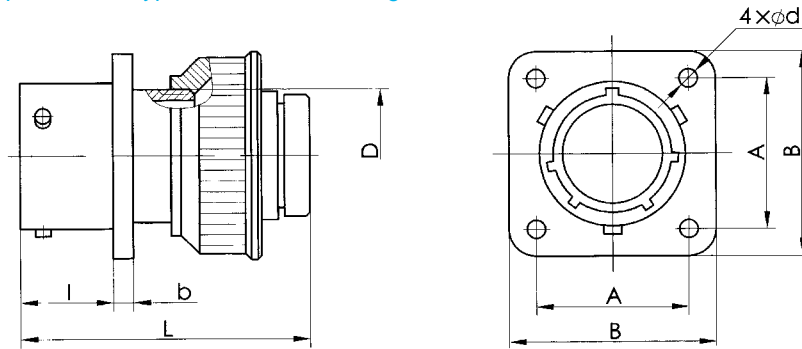
P/N	Dimensions(mm)			
	D	d	Hmax	Lmax
CHL23-4/14B(P)-8-B	22	M14x0.5	45	69
CHL23-3/14B(P)-8-B				
CHL23-10/18B(P)-8-B				
CHL23-7/18B(P)-8-B	26	M18x1		
CHL23-19/22B(P)-8-B	29.5	M22x1		
CHL23-10/22B(P)-8-B				
CHL23-7/22B(P)-8-B				
CHL23-19/24B(P)-8-B	32	M24x1		
CHL23-32/27B(P)-8-B	35	M27x1		
CHL23-19/27B(P)-8-B				
CHL23-28/27B(P)-8-B				
CHL23-41/30B(P)-8-B	38	M30x1		
CHL23-24/30B(P)-8-B	42	M33x1		
CHL23-55/33B(P)-8-B				
CHL23-32/33B(P)-8-B				
CHL23-61/36B(P)-8-B	46	M36x1		
CHL23-43/36B(P)-8-B	49	M39x1		

- ⑪ 11- Cable part with simplified tail attachment



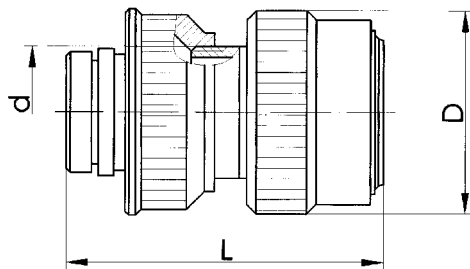
P/N	Dimensions(mm)		
	Dmax	d	Lmax
CHL23-4/14B(P)-11-B	22	M14x0.5	32.5
CHL23-3/14B(P)-11-B			
CHL23-10/18B(P)-11-B			
CHL23-7/18B(P)-11-B	26	M18x1	
CHL23-19/22B(P)-11-B	29.5	M22x1	
CHL23-10/22B(P)-11-B			
CHL23-7/22B(P)-11-B			
CHL23-19/24B(P)-11-B	32	M24x1	
CHL23-32/27B(P)-11-B	35	M27x1	
CHL23-19/27B(P)-11-B			
CHL23-28/27B(P)-11-B			
CHL23-41/30B(P)-11-B	38	M30x1	
CHL23-24/30B(P)-11-B	42	M33x1	
CHL23-55/33B(P)-11-B			
CHL23-32/33B(P)-11-B			
CHL23-61/36B(P)-11-B	46	M36x1	
CHL23-43/36B(P)-11-B	49	M39x1	

① 12- Equipment part with 09 type heat shrink sleeving tail attachment



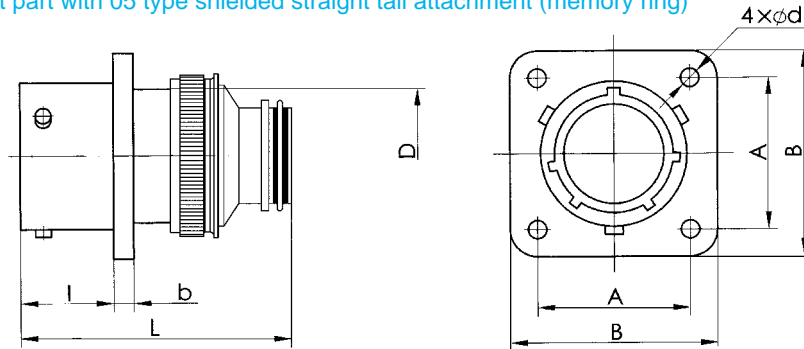
P/N	Dimensions(mm)						
	A	Bmax	D	dmin	lmax	bmax	Lmax
CHL23-4/14B(P)-12-B	16.5	21.7	M14x0.5	2.2	11.3	1.4	50
CHL23-3/14B(P)-12-B							
CHL23-10/18B(P)-12-B	19.5	25.9	M18x1				
CHL23-7/18B(P)-12-B							
CHL23-19/22B(P)-12-B	23	29.4	M22x1				
CHL23-10/22B(P)-12-B							
CHL23-7/22B(P)-12-B	25	31.4	M24x1				
CHL23-19/24B(P)-12-B							
CHL23-32/27B(P)-12-B	27	33.4	M27x1				
CHL23-19/27B(P)-12-B							
CHL23-28/27B(P)-12-B	31	37.8	M30x1				
CHL23-41/30B(P)-12-B							
CHL23-24/30B(P)-12-B	34	41.5	M33x1	14.5	2	51	
CHL23-55/33B(P)-12-B							
CHL23-32/33B(P)-12-B	36.5	44.5	M36x1	15.3			
CHL23-61/36B(P)-12-B							
CHL23-43/36B(P)-12-B	40	46.4	M39x1				
CHL23-45/39B(P)-12-B							

① 13- Cable part with 09 type heat shrink sleeving tail attachment



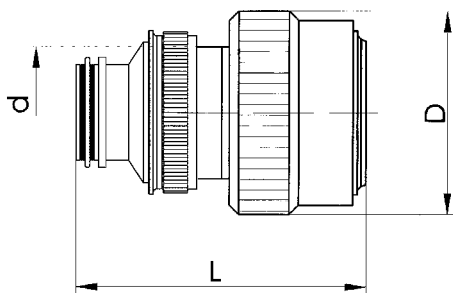
P/N	Dimensions(mm)		
	Dmax	d	Lmax
CHL23-4/14B(P)-13-B	22	M14x0.5	50
CHL23-3/14B(P)-13-B			
CHL23-10/18B(P)-13-B	26	M18x1	
CHL23-7/18B(P)-13-B			
CHL23-19/22B(P)-13-B	29.5	M22x1	
CHL23-10/22B(P)-13-B			
CHL23-7/22B(P)-13-B	32	M24x1	
CHL23-19/24B(P)-13-B			
CHL23-32/27B(P)-13-B	35	M27x1	
CHL23-19/27B(P)-13-B			
CHL23-28/27B(P)-13-B	38	M30x1	
CHL23-41/30B(P)-13-B			
CHL23-24/30B(P)-13-B	42	M33x1	51
CHL23-55/33B(P)-13-B			
CHL23-32/33B(P)-13-B	46	M36x1	
CHL23-61/36B(P)-13-B			
CHL23-43/36B(P)-13-B	49	M39x1	
CHL23-45/39B(P)-13-B			

◎ 15- Equipment part with 05 type shielded straight tail attachment (memory ring)



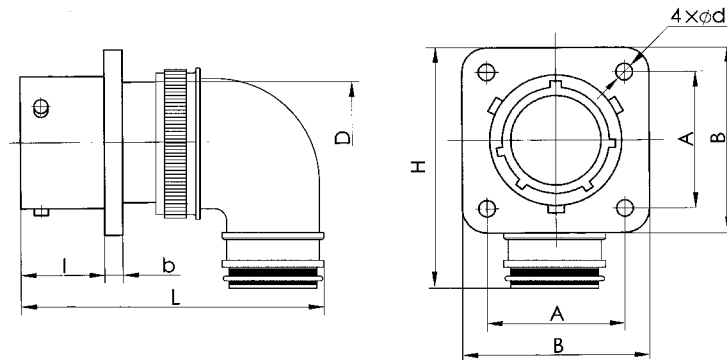
P/N	Dimensions(mm)						
	A	Bmax	D	dmin	lmax	bmax	Lmax
CHL23-4/14B(P)-15-B	16.5	21.7	M14×0.5	3.2	11.3	1.4	55
CHL23-3/14B(P)-15-B							
CHL23-10/18B(P)-15-B	19.5	25.9	M18×1				
CHL23-7/18B(P)-15-B							
CHL23-19/22B(P)-15-B	23	29.4	M22×1				
CHL23-10/22B(P)-15-B							
CHL23-7/22B(P)-15-B							
CHL23-19/24B(P)-15-B	25	31.4	M24×1				
CHL23-32/27B(P)-15-B	27	33.4	M27×1				
CHL23-19/27B(P)-15-B							
CHL23-28/27B(P)-15-B							
CHL23-41/30B(P)-15-B	31	37.8	M30×1				
CHL23-24/30B(P)-15-B							
CHL23-55/33B(P)-15-B	34	41.5	M33×1		14.5		
CHL23-32/33B(P)-15-B							
CHL23-61/36B(P)-15-B	36.5	44.5	M36×1	15.3	2		
CHL23-43/36B(P)-15-B							
CHL23-45/39B(P)-15-B							

◎ 16- Cable part with 05 type shielded straight tail attachment (memory ring)



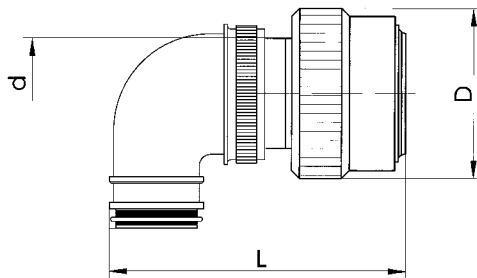
P/N	Dimensions(mm)		
	Dmax	d	Lmax
CHL23-4/14B(P)-16-B	22	M14×0.5	55
CHL23-3/14B(P)-16-B			
CHL23-10/18B(P)-16-B	26	M18×1	
CHL23-7/18B(P)-16-B			
CHL23-19/22B(P)-16-B	29.5	M22×1	
CHL23-10/22B(P)-16-B			
CHL23-7/22B(P)-16-B			
CHL23-19/24B(P)-16-B	32	M24×1	
CHL23-32/27B(P)-16-B	35	M27×1	
CHL23-19/27B(P)-16-B			
CHL23-28/27B(P)-16-B			
CHL23-41/30B(P)-16-B	38	M30×1	
CHL23-24/30B(P)-16-B			
CHL23-55/33B(P)-16-B	42	M33×1	
CHL23-32/33B(P)-16-B			
CHL23-61/36B(P)-16-B	46	M36×1	
CHL23-43/36B(P)-16-B			
CHL23-45/39B(P)-16-B			

◎ 17- Equipment part with 06 type screen curved tail attachment (memory ring)



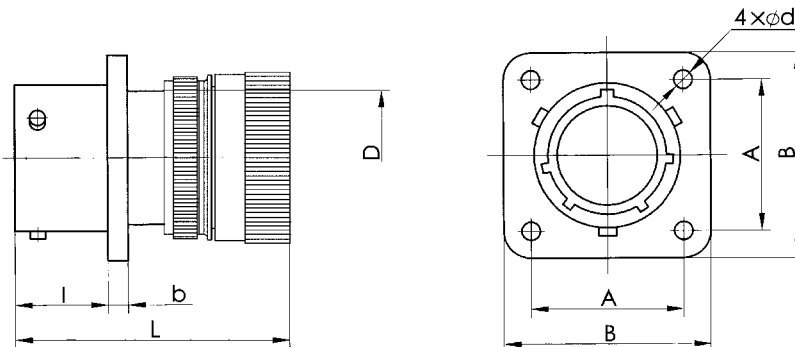
P/N	Dimensions(mm)							
	A	Bmax	D	dmin	lmax	bmax	Lmax	Hmax
CHL23-4/14B(P)-17-B	16.5	21.7	M14x0.5	2.2	11.3	1.4	40	69
CHL23-3/14B(P)-17-B								
CHL23-10/18B(P)-17-B	19.5	25.9	M18x1	3.2		1.8		
CHL23-7/18B(P)-17-B								
CHL23-19/22B(P)-17-B	23	29.4	M22x1	14.5		2		
CHL23-10/22B(P)-17-B								
CHL23-7/22B(P)-17-B	25	31.4	M24x1	15.3				
CHL23-19/24B(P)-17-B								
CHL23-32/27B(P)-17-B	27	33.4	M27x1	14.5				
CHL23-19/27B(P)-17-B								
CHL23-28/27B(P)-17-B	31	37.8	M30x1	15.3				
CHL23-41/30B(P)-17-B								
CHL23-24/30B(P)-17-B	34	41.5	M33x1	15.3				
CHL23-55/33B(P)-17-B								
CHL23-32/33B(P)-17-B	36.5	44.5	M36x1	15.3				
CHL23-61/36B(P)-17-B								
CHL23-43/36B(P)-17-B	40	46.4	M39x1	15.3				
CHL23-45/39B(P)-17-B								

◎ 18- Cable part with 06 type screen curved tail attachment (memory ring)



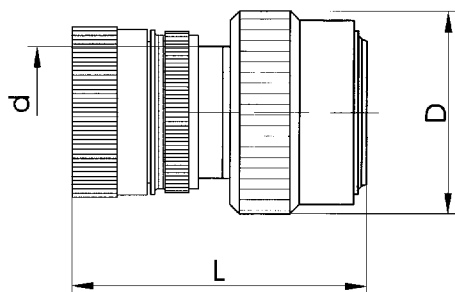
P/N	Dimensions(mm)		
	Dmax	d	Lmax
CHL23-4/14B(P)-18-B	22	M14x0.5	40
CHL23-3/14B(P)-18-B			
CHL23-10/18B(P)-18-B	26	M18x1	
CHL23-7/18B(P)-18-B			
CHL23-19/22B(P)-18-B	29.5	M22x1	
CHL23-10/22B(P)-18-B			
CHL23-7/22B(P)-18-B	32	M24x1	
CHL23-19/24B(P)-18-B			
CHL23-32/27B(P)-18-B	35	M27x1	
CHL23-19/27B(P)-18-B			
CHL23-28/27B(P)-18-B	38	M30x1	
CHL23-41/30B(P)-18-B			
CHL23-24/30B(P)-18-B	42	M33x1	
CHL23-55/33B(P)-18-B			
CHL23-32/33B(P)-18-B	46	M36x1	
CHL23-61/36B(P)-18-B			
CHL23-43/36B(P)-18-B	49	M39x1	
CHL23-45/39B(P)-18-B			

◎ 19- Equipment part with 07 type shielded simplified tail attachment



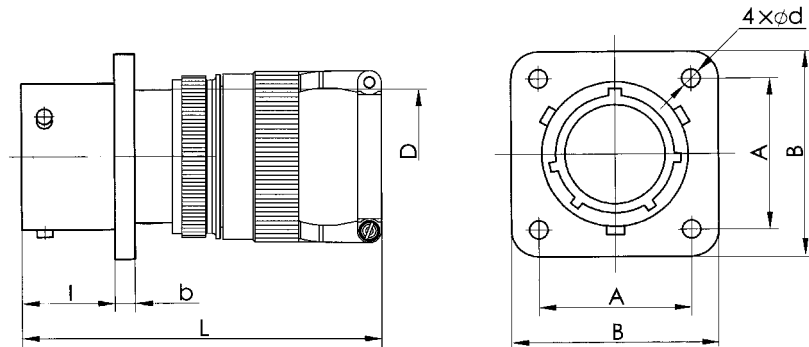
P/N	Dimensions(mm)						
	A	Bmax	D	dmin	lmax	bmax	Lmax
CHL23-4/14B(P)-19-B	16.5	21.7	M14x0.5	2.2	11.3	1.4	56
CHL23-3/14B(P)-19-B							
CHL23-10/18B(P)-19-B	19.5	25.9	M18x1	3.2			
CHL23-7/18B(P)-19-B							
CHL23-19/22B(P)-19-B	23	29.4	M22x1	3.2			
CHL23-10/22B(P)-19-B							
CHL23-7/22B(P)-19-B	25	31.4	M24x1	3.2			
CHL23-19/24B(P)-19-B							
CHL23-32/27B(P)-19-B	27	33.4	M27x1	3.2			
CHL23-19/27B(P)-19-B							
CHL23-28/27B(P)-19-B	31	37.8	M30x1	3.2			
CHL23-41/30B(P)-19-B							
CHL23-24/30B(P)-19-B	34	41.5	M33x1	3.2			
CHL23-55/33B(P)-19-B							
CHL23-32/33B(P)-19-B	36.5	44.5	M36x1	3.2			
CHL23-61/36B(P)-19-B							
CHL23-43/36B(P)-19-B	40	46.4	M39x1	3.2			
CHL23-45/39B(P)-19-B							

◎ 20- Cable part with 07 type shielded simplified tail attachment



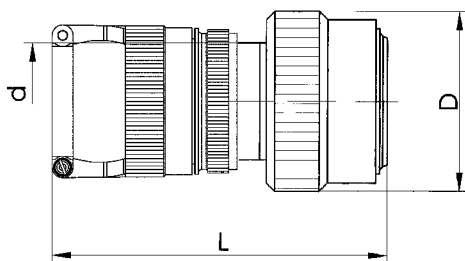
P/N	Dimensions(mm)		
	Dmax	d	Lmax
CHL23-4/14B(P)-20-B	22	M14x0.5	56
CHL23-3/14B(P)-20-B			
CHL23-10/18B(P)-20-B	26	M18x1	
CHL23-7/18B(P)-20-B			
CHL23-19/22B(P)-20-B	29.5	M22x1	
CHL23-10/22B(P)-20-B			
CHL23-7/22B(P)-20-B	32	M24x1	
CHL23-19/24B(P)-20-B			
CHL23-32/27B(P)-20-B	35	M27x1	
CHL23-19/27B(P)-20-B			
CHL23-28/27B(P)-20-B	38	M30x1	
CHL23-41/30B(P)-20-B			
CHL23-24/30B(P)-20-B	42	M33x1	
CHL23-55/33B(P)-20-B			
CHL23-32/33B(P)-20-B	46	M36x1	
CHL23-61/36B(P)-20-B			
CHL23-43/36B(P)-20-B	49	M39x1	
CHL23-45/39B(P)-20-B			

◎ 21- Equipment part with 08 type shielded straight clamp wire tail attachment



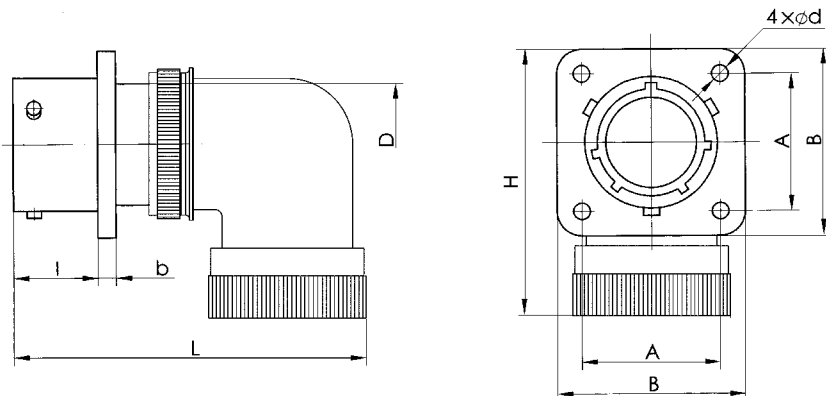
P/N	Dimensions(mm)									
	A	Bmax	D	dmin	lmax	bmax	Lmax			
CHC23-4/14B(P)-21-B	16.5	21.7	M14x0.5	2.2	11.3	1.4	66			
CHC23-3/14B(P)-21-B										
CHC23-10/18B(P)-21-B	19.5	25.9	M18x1	3.2		1.8	70			
CHC23-7/18B(P)-21-B										
CHC23-19/22B(P)-21-B	23	29.4	M22x1			14.5	2	78		
CHC23-10/22B(P)-21-B										
CHC23-7/22B(P)-21-B	25	31.4	M24x1				15.3	2	78	
CHC23-19/24B(P)-21-B										
CHC23-32/27B(P)-21-B	27	33.4	M27x1					15.3	2	78
CHC23-19/27B(P)-21-B										
CHC23-28/27B(P)-21-B	31	37.8	M30x1		15.3				2	78
CHC23-41/30B(P)-21-B										
CHC23-24/30B(P)-21-B	34	41.5	M33x1	15.3					2	78
CHC23-55/33B(P)-21-B										
CHC23-32/33B(P)-21-B	36.5	44.5	M36x1			15.3			2	78
CHC23-61/36B(P)-21-B										
CHC23-43/36B(P)-21-B	40	46.4	M39x1				15.3		2	78
CHC23-45/39B(P)-21-B										

◎ 22- Cable part with 08 type shielded straight clamp wire tail attachment



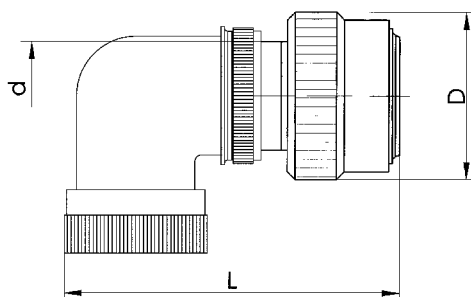
P/N	Dimensions(mm)		
	Dmax	d	Lmax
CHC23-4/14B(P)-22-B	22	M14x0.5	66
CHC23-3/14B(P)-22-B			
CHC23-10/18B(P)-22-B	26	M18x1	70
CHC23-7/18B(P)-22-B			
CHC23-19/22B(P)-22-B	29.5	M22x1	72
CHC23-10/22B(P)-22-B			
CHC23-7/22B(P)-22-B	32	M24x1	78
CHC23-19/24B(P)-22-B			
CHC23-32/27B(P)-22-B	35	M27x1	78
CHC23-19/27B(P)-22-B			
CHC23-28/27B(P)-22-B	38	M30x1	78
CHC23-41/30B(P)-22-B			
CHC23-24/30B(P)-22-B	42	M33x1	78
CHC23-55/33B(P)-22-B			
CHC23-32/33B(P)-22-B	46	M36x1	78
CHC23-61/36B(P)-22-B			
CHC23-43/36B(P)-22-B	49	M39x1	78
CHC23-45/39B(P)-22-B			

◎ 25- Equipment part with 10 type shielded bent tail attachment



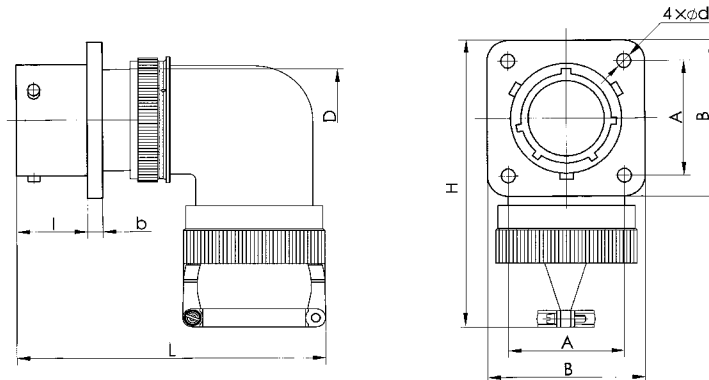
P/N	Dimensions(mm)							
	A	Bmax	D	dmin	lmax	bmax	Lmax	Hmax
CHL23-4/14B(P)-25-B	16.5	21.7	M14×0.5	2.2	11.3	1.4	66	57
CHL23-3/14B(P)-25-B	16.5	21.7	M14×0.5					
CHL23-10/18B(P)-25-B	19.5	25.9	M18×1					
CHL23-7/18B(P)-25-B	19.5	25.9	M18×1					
CHL23-19/22B(P)-25-B	23	29.4	M22×1					
CHL23-10/22B(P)-25-B	23	29.4	M22×1					
CHL23-7/22B(P)-25-B	23	29.4	M22×1					
CHL23-19/24B(P)-25-B	25	31.4	M24×1					
CHL23-32/27B(P)-25-B	27	33.4	M27×1					
CHL23-19/27B(P)-25-B	27	33.4	M27×1					
CHL23-28/27B(P)-25-B	27	33.4	M27×1	3.2	1.8	72	73	
CHL23-41/30B(P)-25-B	31	37.8	M30×1					
CHL23-24/30B(P)-25-B	31	37.8	M30×1					
CHL23-55/33B(P)-25-B	34	41.5	M33×1					
CHL23-32/33B(P)-25-B	34	41.5	M33×1	14.5	2	78		
CHL23-61/36B(P)-25-B	36.5	44.5	M36×1					
CHL23-43/36B(P)-25-B	36.5	44.5	M36×1					
CHL23-45/39B(P)-25-B	40	46.4	M39×1	15.3	2	78		

◎ 26- Cable part with 10 type shielded bent tail attachment



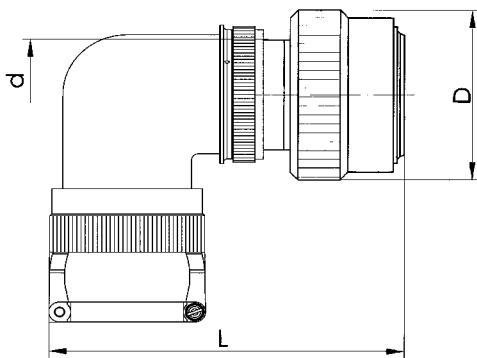
P/N	Dimensions(mm)		
	Dmax	d	Lmax
CHL23-4/14B(P)-26-B	22	M14×0.5	66
CHL23-3/14B(P)-26-B			
CHL23-10/18B(P)-26-B	26	M18×1	70
CHL23-7/18B(P)-26-B			
CHL23-19/22B(P)-26-B	29.5	M22×1	72
CHL23-10/22B(P)-26-B			
CHL23-7/22B(P)-26-B	32	M24×1	72
CHL23-19/24B(P)-26-B			
CHL23-32/27B(P)-26-B	35	M27×1	78
CHL23-19/27B(P)-26-B			
CHL23-28/27B(P)-26-B	38	M30×1	78
CHL23-41/30B(P)-26-B			
CHL23-24/30B(P)-26-B	42	M33×1	78
CHL23-55/33B(P)-26-B			
CHL23-32/33B(P)-26-B	46	M36×1	78
CHL23-61/36B(P)-26-B			
CHL23-43/36B(P)-26-B	49	M39×1	78
CHL23-45/39B(P)-26-B			

☉ 27- Equipment part with 11 type shielded bent clamp wire tail attachment

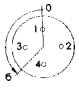

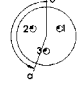
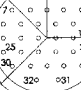


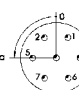
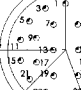


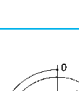

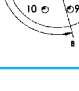


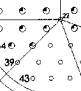




P/N	Dimensions(mm)										
	A	Bmax	D	dmin	lmax	bmax	Lmax	Hmax			
CHL23-4/14B(P)-27-B	16.5	21.7	M14x0.5	2.2	11.3	1.4	66	51			
CHL23-3/14B(P)-27-B											
CHL23-10/18B(P)-27-B	19.5	25.9	M18x1	3.2		1.8	72	87			
CHL23-7/18B(P)-27-B											
CHL23-19/22B(P)-27-B	23	29.4	M22x1			14.5	2	78	113		
CHL23-10/22B(P)-27-B											
CHL23-7/22B(P)-27-B	25	31.4	M24x1				15.3	2	78	113	
CHL23-19/24B(P)-27-B											
CHL23-32/27B(P)-27-B	27	33.4	M27x1					15.3	2	78	113
CHL23-19/27B(P)-27-B											
CHL23-28/27B(P)-27-B	31	37.8	M30x1		15.3				2	78	113
CHL23-41/30B(P)-27-B											
CHL23-24/30B(P)-27-B	34	41.5	M33x1	15.3					2	78	113
CHL23-55/33B(P)-27-B											
CHL23-32/33B(P)-27-B	36.5	44.5	M36x1			15.3			2	78	113
CHL23-61/36B(P)-27-B											
CHL23-43/36B(P)-27-B	40	46.4	M39x1				15.3		2	78	113
CHL23-45/39B(P)-27-B											

☉ 28- Cable part with 11 type shielded bent clamp wire tail attachment

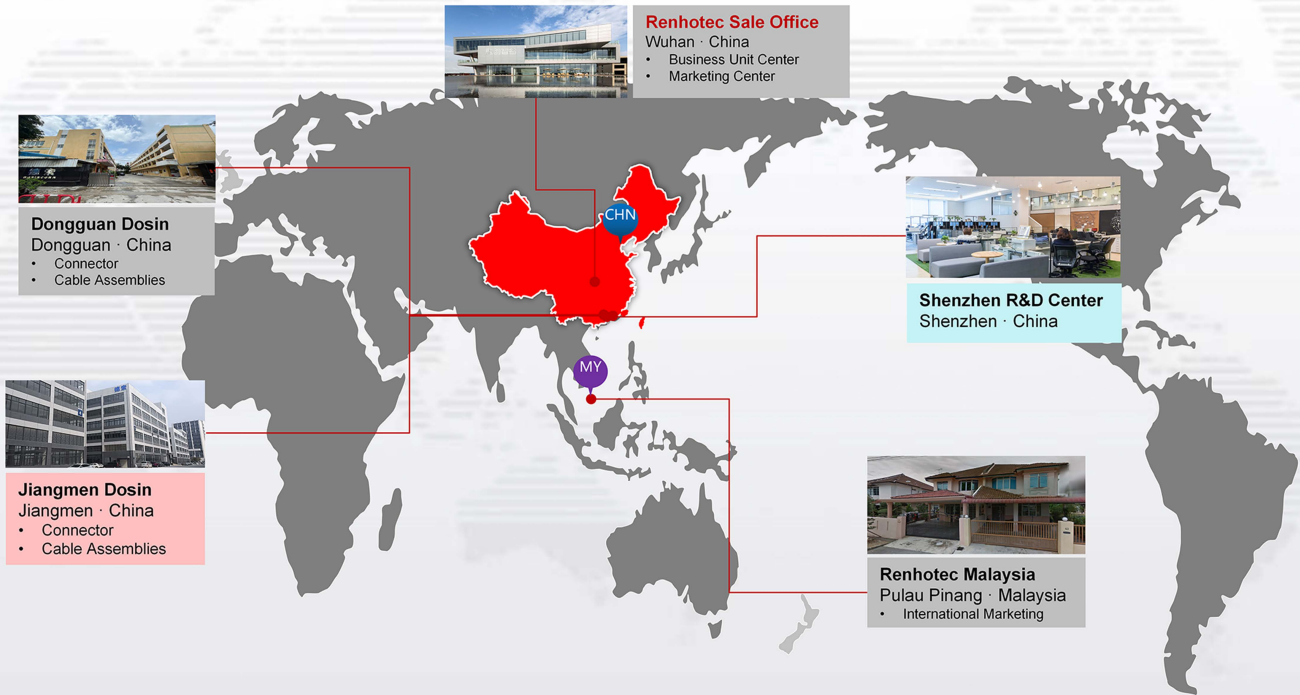


P/N	Dimensions(mm)		
	Dmax	d	Lmax
CHL23-4/14B(P)-28-B	22	M14x0.5	66
CHL23-3/14B(P)-28-B			
CHL23-10/18B(P)-28-B	26	M18x1	72
CHL23-7/18B(P)-28-B			
CHL23-19/22B(P)-28-B	29.5	M22x1	78
CHL23-10/22B(P)-28-B			
CHL23-7/22B(P)-28-B	32	M24x1	78
CHL23-19/24B(P)-28-B			
CHL23-32/27B(P)-28-B	35	M27x1	78
CHL23-19/27B(P)-28-B			
CHL23-28/27B(P)-28-B	38	M30x1	78
CHL23-41/30B(P)-28-B			
CHL23-24/30B(P)-28-B	42	M33x1	78
CHL23-55/33B(P)-28-B			
CHL23-32/33B(P)-28-B	46	M36x1	78
CHL23-61/36B(P)-28-B			
CHL23-43/36B(P)-28-B	49	M39x1	78
CHL23-45/39B(P)-28-B			

Contact number Shell size	Key position				Contact Arrangement	Contact number Shell size	Key position				Contact Arrangement
	a	σ	B	Γ			a	σ	B	Γ	
4/14	-	135°	-	-		28/27	45°	150°	195°	-	
3/14	160°	-	-	-		32/27	45°	135°	-	270°	
10/18	-	70°	-	-		41/30	45°	90°	-	-	
7/18	90°	-	-	-		24/30	90°	135°	200°	-	
19/22	30°	-	225°	-		32/33	90°	120°	-	-	
10/22	-	100°	195°	-		55/33	75°	90°	-	165°	
7/22	80°	170°	225°	-		43/36	90°	135°	200°	250°	
19/24	30°	120°	245°	-		61/36	90°	160°	190°	-	
19/27	30°	195°	-	-		45/39	90°	180°	270°	31	

Company Distribution

Renhotec has extensive business cooperation worldwide



Our Served Cutomers

EMS



Telecom



Industry



New Energy



Renhotec Group Limited

Head Office:

No.555, Wenhua Avenue, Hongshan District 430070, Wuhan City, Hubei, China.

Factory 1:

No.25, Ningjiang Road, Humen Town, Dongguan City, Guangdong Province, China.

Factory 2:

Building 5, Wanyang Zhongchuang City, Daze Park, Shenjiang Industrial Park, Daze Town, Xinhui District, Jiangmen City, Guangdong Province, China

Web: <https://renhotec-industrial.com>

Tel: +86 15925121787

Email: sale@renhotec.com